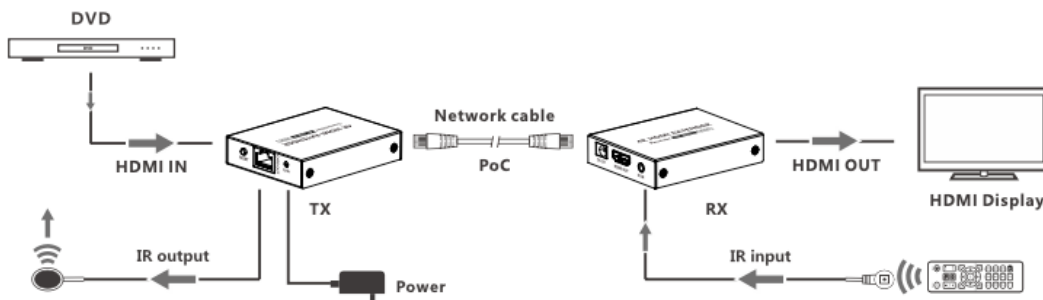


# HDMI Extender Over CAT6 70m (ER2601EXP)



## Introduction

EiRA ER2601EX HDMI Extender includes a transmitter unit and a receiver unit, allows the HDMI signal to be transmitted up to 70 meters at 1080p resolution using a Cat6/6A/7 network cable. It adopts a point-to-point connection configuration, supports IR pass-back. It is perfect for outdoor advertising, monitor system, home entertainment, conference, etc.

## Features

- Zero latency.
- Support up to 4K@30Hz resolution.
- Support CAT6/6A/7 network cables, 1080p@60Hz transmission distance is up to 70meters, 4K@30Hz transmission distance is up to 40 meters.
- Support IR pass-back function (20~60KHz). Innovative IR pass back function, perfect improved infrared remote control experience
- Support HDR10.
- Support EDID passthrough.
- Support PoC network cable power supply, only TX power supply is needed.

# HDMI Extender Over CAT6 70m (ER2601EXP)

## Specifications

<b>Brand</b>	EiRA	
<b>SKU Code</b>	ER2601EXP	
<b>Product Name</b>	HDMI EXTENDER OVER CAT6 (70m)	
<b>Power Supply</b>	Voltage/Current	DC 5V/2A
	Power Consumption	TX+RX < 8W
<b>HDMI Performance and Interface</b>	HDMI compliance	HDMI 1.4
	HDCP compliance	HDCP 1.4
	HDMI resolution	800x600, 1024x768, 1280x720, 1280x960, 1366x768, 1440x900, 1680x1050, 1920x1080, 480i@60Hz, 480p@60Hz, 576i@50Hz, 576p@50Hz, 720p@50/60Hz, 1080i@50/60Hz, 1080p@24/25/30/50/60Hz, 3840x2160@24/25/30Hz
	Audio Formats	DTS, DTS-HD, PCM, LPCM
	HDR	Support
	EDID through	Support
	IR Pass-back	Frequency Range : 20 ~ 60KHz
	Input and output TMDS signal	0.7 ~ 1.2Vp-p (TMDS)
	Input and output DDC signal	5Vp-p (TTL)
	<b>Transmission Distance</b>	CAT6/6A/7
<b>Protection Level</b>	Electrostatic protection of the whole machine	implementation of the standard: IEC61000-4-2 1a Contact discharge level 2 (±4KV) 1b Air discharge level 3 (±8KV)
<b>Operating Environment</b>	Working Temperature	-20 ~ 60°C
	Storage Temperature	-30 ~ 90°C
	Humidity (no condensation)	0 ~ 90%RH
<b>Body Properties</b>	Dimensions	75.0(L) x 60.0(W) x 16.5(H) mm
	Weight	TX: 127g    RX: 127G
	Colour	Black
	Material	Aluminium Alloy
<b>Warranty*</b>		1 year

# HDMI Extender Over CAT6 70m (ER2601EXP)

## Package Contents



Transmitter unit  
x1pc



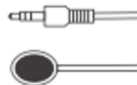
Receiver unit  
x1pc



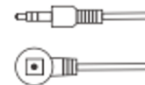
DC5V/2A  
x1pc



User manual  
x1pc



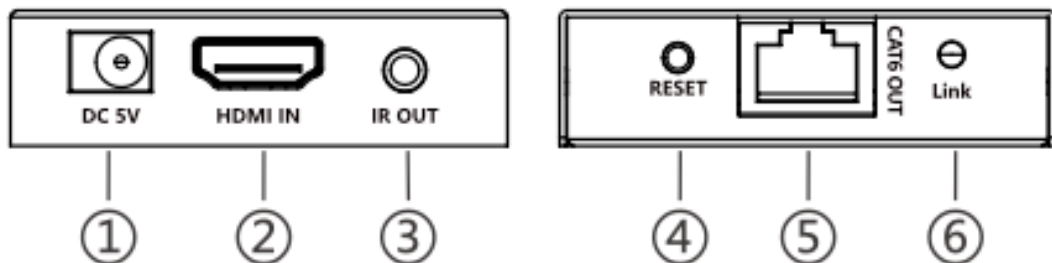
IR blaster extension  
cable x1pc



IR receiver extension  
cable x1pc

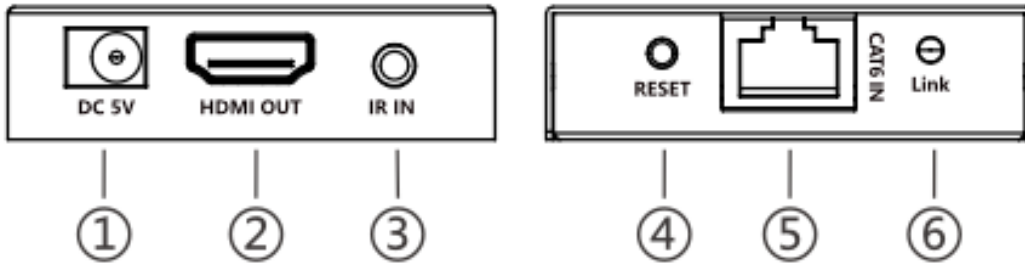
## Interface

### 1. Transmitter (TX)



1	Power input	Connect to the 5V/2A DC power adapter.
2	HDMI input	Connect to a HDMI source device.
3	IR out	Connect the IR blaster extension cable, please keep the infrared transmitter as close as possible to the signal source device when using.
4	Reset button	Press the button to restart the device.
5	RJ45 signal output	Output modulated HDMI signal.
6	Signal Indicator	No HDMI signal is transmitted, the indicator flashes. HDMI signal is transmitted, the indicator stays on.

## 2. Receiver (RX)



1	Power input	PoC, only TX power supply is needed.
2	HDMI output	Connect to a HDMI display device.
3	IR in	Connect the IR receiver extension cable to ensure that the remote control used is within the range of the IR receiving device.
4	Reset button	Press the button to restart the device.
5	RJ45 signal input	Input modulated HDMI signal.
6	Signal Indicator	No HDMI signal is transmitted, the indicator flashes. HDMI signal is transmitted, the indicator stays on.