



Introduction

This is a HDMI KVM EXTENDER, is made up of a transmitter unit (local site) and a receiver unit (remote site). The HDMI signal can be extended up to 120 meters via network cable, and the resolution supported is up to 1080p@60Hz. It allows access to a computer system from a remote console by USB connectors (USB keyboard and mouse). It is perfect for factory and construction sites, or any type of installation where the console needs to be in a conveniently accessible location. It is also useful for control and security purposes. Therefore, it is widely used in command center, data control center, operation rooms in military, bank, government, enterprise etc.

Features

- The HDMI signal transmission distance can reach 120m through the network cable.
- Resolution supported is up to 1080p@60Hz.
- Support point to point connection or one to many connections through network switch(es).
- Support KVM function, control, and management.
- Aluminium alloy casing, stable and durable.
- Lightning Protection, Surge Protection, ESD Protection.

Specifications

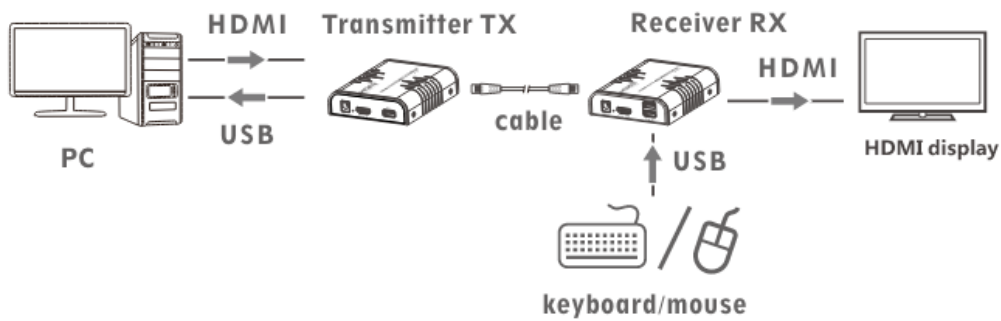
Brand	EIRA	
SKU Code	ER2662KVMIP	
Technical	Transmitter-TX	Receiver-RX
Signal format	HDMI	
HDMI connector	Type A, Female, 19-pin	
Transmission distance	CAT5/80 meters, CAT5e/100meters, CAT6/120 meters	
Lan connector	RJ-45	
Video bandwidth	≤70Mbps	
Resistance	100Ω	
Video Latency	50 ms	
Supported OS and Version	Windows 11, Windows 10, Windows 8, Windows 7, Windows 7 x64, Windows Server 2008, Windows Server 2008 x64, Windows Vista, Windows Vista x64, Windows Server 2003, Windows XP, Windows XP-x64, Windows 2000, Windows ME, Windows 98SE	
HDMI resolution supported	640*480@60Hz 800*600@60Hz 1024*768@60Hz 1280*720@60Hz 1360*768@60Hz 1440*900@60Hz 1400*1050@60Hz 1680*1050@60Hz 1920*1080@60Hz	
Audio support	PCM (44.1KHz, 48KHz)	
KVM function	connect with PC	"Connect with keyboard/mouse. KVM function can be switched by pressing the button"
One to Many	Support for one-to-many connections using switches	
Switch cascade	Yes	
Input	HDMIx1, USBx1 (to connect with PC, DC5V	DC2.1 x1, RJ45 x1
Output	RJ45 x1	HDMI x1, USB-A x2
HDMI compliance	1.3	
HDCP compliance	1.4	
Mechanical	Transmitter-TX	Receiver-RX
Housing	Metal enclosure	
Dimensions (LxWxH mm)	109.6(L) x 89.5(W) x 26.3(H) mm	
Net weight	160g	170g
Power supply	5V / 1A	5V / 1A
Consumption	<3.5W	<3.5W
Operation temperature	-0~60°C	

Storage temperature	-20~70°C
Relative humidity	20~90% (non-condensing)
Warranty	1 Year

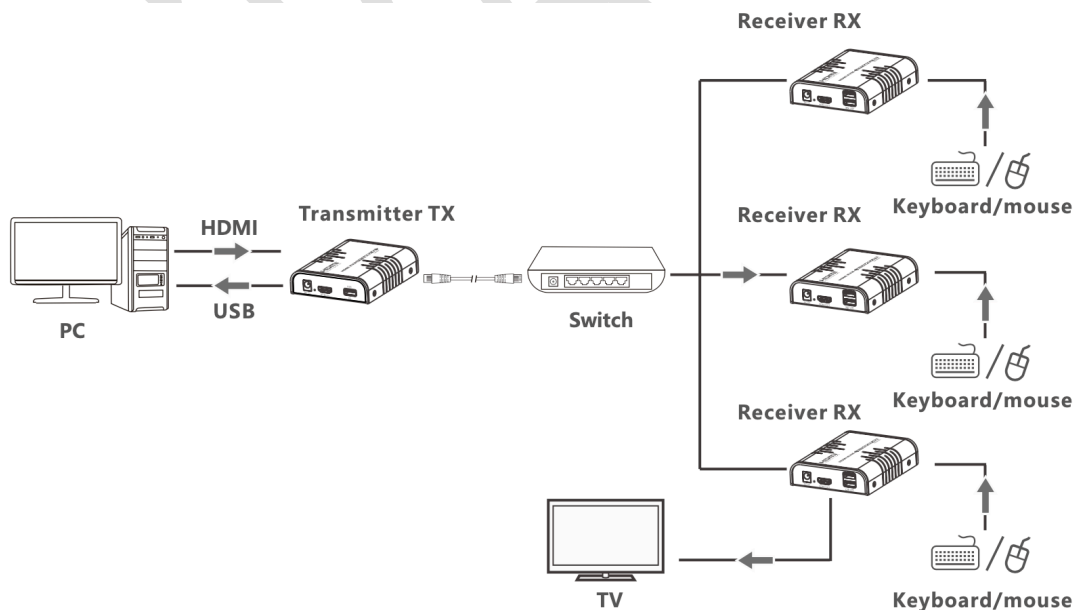
Connection

Transmission distance can be up to 120 meters for 1080p over one CAT6.

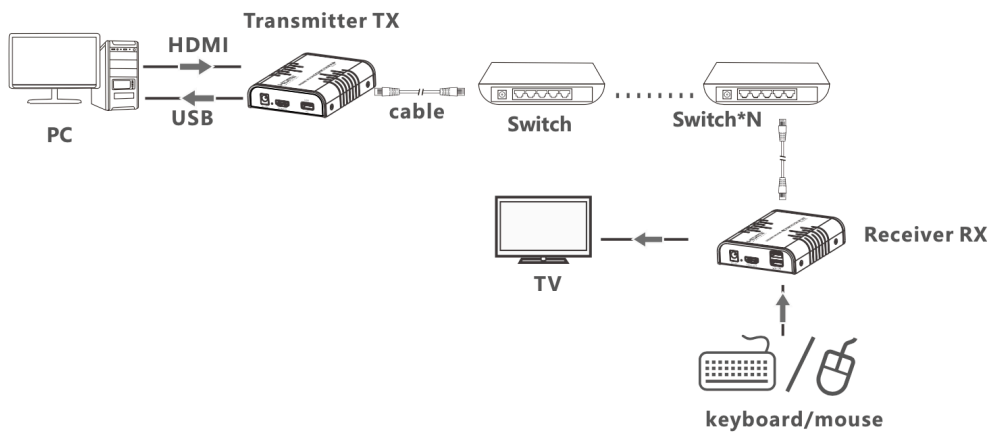
One-to-One connection:



One-to-many connection: By using network router/switch, one transmitter to several receivers, realize extender and splitter function.



Switch Connection: By using network router/switch, realize unlimited extension.



Note:

1. Transmission distance depends on type of network cable, CAT5:80m, CAT5E: 100m, CAT6: 120m.
2. It is recommended that Gigabyte Ethernet switches be used in LAN. Fast Ethernet switches (100Mbps) and Gigabit Ethernet switches (1000Mbps) cannot be mixed use in cascade.

Panel Description

1. HDMI EXTENDER TX (Transmitter)



①	Power indicator	The indicator will turn blue when power up
②	KVM indicator	The indicator will turn orange when the USB port connect to the PC successfully
③	LAN signal output	Output modulated HDMI signal
④	Reset button	Restart the device
⑤	Power input	Connect with DC5V1A power adapter
⑥	HDMI input	Connect with the source device
⑦	USB port	Connect with PC

2. HDMI KVM EXTENDER RX (Receiver)



①	Power indicator	The indicator will turn blue when power up
②	KVM indicator	When the KVM function is usable, it will turn orange.
③	KVM switch	Press the button to enable the KVM function (Especially in the one-to-many situation)
④	LAN signal input	Input modulated HDMI signal
⑤	Reset button	Restart the device
⑥	Power input	Connect with DC5V1A power adapter
⑦	HDMI output	Connect with HDMI display device
⑧	USB port	Connect with keyboard and mouse