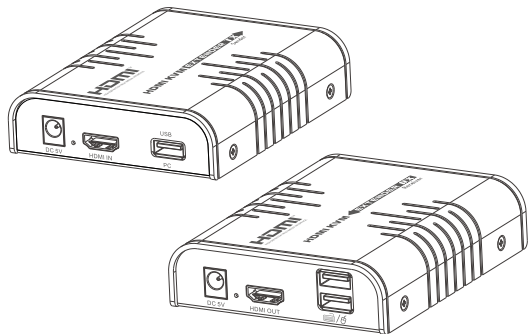


## HDMI KVM EXTENDER

HDMI KVM Extender over IP (120m)



### · Important Safety Instruction

1. Do not mix up the transmitter and receiver before instruction.
2. Do not unplug the device, when it is in using, keep distance from inflammable and explosive devices.
3. Power Supply : DC 5V, Use only the supplied power supply unit, Do not use the power supply if it is damaged.

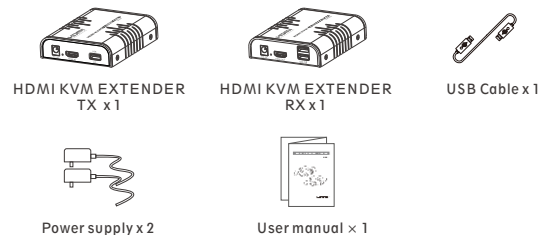
### · Product Introduction

This is a HDMI KVM EXTENDER, is made up of a transmitter unit(local site) and a receiver unit(remote site). The HDMI signal can be extended up to 120 meters via network cable, and the resolution supported is up to 1080p@60Hz. It allows access to a computer system from a remote console by USB connectors(USB keyboard and mouse). It is perfect for factory and construction sites, or any type of installation where the console needs to be in a conveniently accessible location. It is also useful for control and security purposes. Therefore it is widely used in command center, data control center, operation rooms in military, bank, government, enterprise etc .

### · Features

1. The HDMI signal transmission distance can reach 120m through the network cable.
2. Resolution supported is up to 1080p@60Hz.
3. Support point to point connection or one to many connection through network switch(es).
4. Support KVM function.
5. Aluminium alloy casing, stable and durable.
6. Lightning Protection, Surge Protection, ESD Protection.

### · Package Content



### · Installation Requirements

1. Source devices : PC or other devices with HDMI graphics card.
2. Display devices : With HDMI input port, SDTV, HDTV, and monitor.
3. Network cables : UTP/STP CAT5E/6 network cables, which following the standard of IEEE-568B. Transmission length: CAT5 80m/CAT5E 100m/CAT6 120m.

### · Panel Introduction

#### 1. HDMI EXTENDER TX (Transmitter)



①	Power indicator	The indicator will turn blue when power up
②	KVM indicator	The indicator will turn orange when the USB port connect to the PC successfully
③	LAN signal output	Output modulated HDMI signal
④	Reset button	Restart the device
⑤	Power input	Connect with DC5V1A power adapter
⑥	HDMI input	Connect with the source device
⑦	USB port	Connect with PC

#### 2. HDMI KVM EXTENDER RX (Receiver)



①	Power indicator	The indicator will turn blue when power up
②	KVM indicator	When the KVM function is usable, it will turn orange.
③	KVM switch	Press the button to enable the KVM function (Especially in the one-to-many situation)
④	LAN signal input	Input modulated HDMI signal
⑤	Reset button	Restart the device
⑥	Power input	Connect with DC5V1A power adapter
⑦	HDMI output	Connect with HDMI display device
⑧	USB port	Connect with keyboard and mouse

## Installation Procedures

### 1. How to make a CAT5E/6 network cake

Follow the standard of IEEE-568B:

- |                |              |               |
|----------------|--------------|---------------|
| 1-Orange/white | 4-Blue       | 7-Brown/white |
| 2-Orange       | 5-Blue/white | 8-Brown       |
| 3-Green/white  | 6-Green      |               |



### 2. Install driver Software

Connect the transmitter to the computer via a USB cable, and the USB driver will be installed automatically.

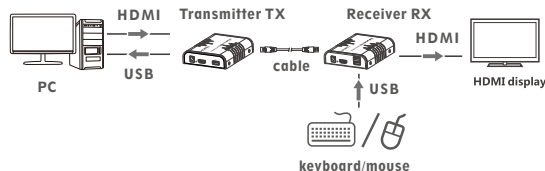
### 3. Supported OS and version

Windows 7, Windows 7 x64, Windows Server 2008, Windows Server 2008 x64, Windows Vista, Windows Vista x64, Windows Server 2003, Windows XP, Windows XP-x64, Windows 2000, Windows ME, Windows 98SE, Windows 8, Windows 10

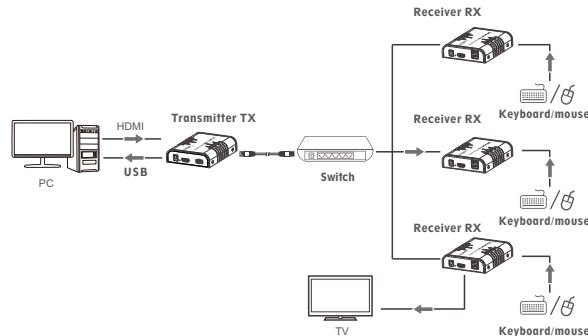
### 4. General Connection

Transmission distance can be up to 120 meters for 1080p over one CAT6

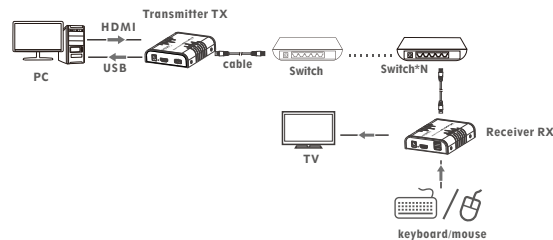
One to one connection:



**One-to-many Connection:** by using network router/switch, one transmitter to several receivers, realize extender and splitter function.



**Switch Connection:** by using network router/switch, realize unlimited extension.



NOTE : 1. Transmission distance depends on type of network cable, CAT5: 80m, CAT5E : 100m, CAT6: 120m.

2. It is recommended that Gigabit Ethernet switches be used in LAN. Fast Ethernet switches (100Mbps) and Gigabit Ethernet switches (1000Mbps) can not be mixed-use in cascade.

## FAQ

**Q :** How to use the KVM function in one-to-many connection?

**A :** Press the KVM switch of the receiver you want to use, and then the keyboard and the mouse which connect to that USB port of the receiver will work.

**Q :** Yellow light of Lan port is flashing quickly but no display?

- A :**
- 1) If source is graphics card, please set the resolution to be HDMI supported by display.
  - 2) Check whether cable of Receiver is well connected. HDMI
  - 3) Change the cable of Receiver. HDMI
  - 4) Check whether signal correctly. HDMI source device output HDMI
  - 5) Change the cable of Transmitter. HDMI

**Q :** Yellow Led light of Lan port is not light?

- A :**
- 1) Check and make sure all the cables are connected well.
  - 2) Try again with shorten network cable.

**Q :** Abnormal color display or flashing after all the devices are well connected?

- A :**
- 1) Please press reset button of HDMI extender.
  - 2) Make sure the network cable is made according to the standard of IEEE-568B.

**Q :** Why is the keyboard /mouse not working?

- A :**
- 1) Please press the KVM switch of the receiver again.
  - 2) Please make sure the USB cable is connected well.
  - 3) restart the transmitter or receiver.
  - 4) Reinstall the USB driver.

## Specification

Items	Specifications
HDM version	HDMI 1.3
HDCP version	HDCP1.4
Video bandwidth	≤20Mbps
HDMI resolution supported	640*480@60Hz 800*600@60Hz 1024*768@60Hz 1280*720@60Hz 1360*768@60Hz 1440*900@60Hz 1400*1050@60Hz 1680*1050@60Hz 1920*1080@60Hz
Audio support	PCM (44.1KHz, 48KHz)
HDMI connector	Type A ,19 pin, Female
LAN connector	RJ-45
Operation temperature	-10 ~60
Relative humidity	10-95% (Noncondensing)
Protection	Lightning Protection Surge Protection ESD Protection
Power Consumption	TX<3.5w RX<3.5w
Dimensions	109.6(L)x89.5(w)x26.3(H)mm*2pcs
Weight	TX:240g RX:240g
Color	Black

## Disclaimer

The product name and brand name may be registered trademark of related manufactures. ™ and ® may be omitted on the user manual. The pictures in this user manual are just for reference. The terms HDMI, HDMI High-Definition Multimedia Interface, and the HDMI Logo are trademarks or registered trademarks of HDMI Licensing Administrator, Inc. We reserve the rights to make changes without further notice to a product or system described herein to improve reliability, function or design.