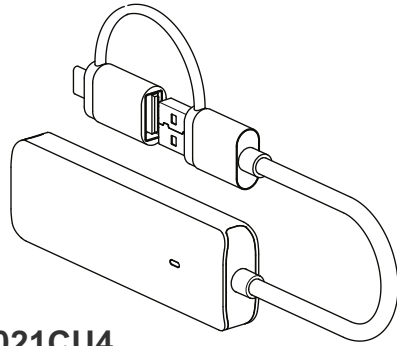




User Manual

2 IN 1 USB-C/A to 4-PORTS USB HUB (USB3.0*4)

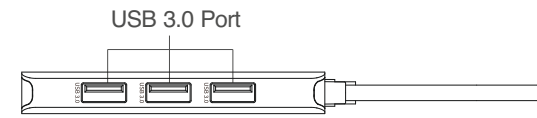


ER2021CU4

Package Contents

- USB 3.0 4-Port Aluminium Hub
- User Manual

Product Diagram



1

Specifications

SKU Code	ER2021CU4
Product Name	2 IN 1 USB-C/A to 4-PORT USB HUB
Input	1 x 2-in-1 USB-C/A (Male)
Output	4 x USB3.0
Data Transfer Rate	up to 5 Gbps
Material	Aluminium & Plastic
Dimensions	119*32*14mm
Weight	72g
System supported	Windows 11,10,8.1,8,7 and MacOS

Instructions

Depending on how you use the hub, choose the power supply option that's best for you.

- Power Adapter and USB Connection: When connected to several power-consuming devices, connect both the power adapter and the USB cable to the hub to ensure a stable connection.
- USB Connection Only: When connected to less power-consuming devices, simply connect the USB cable to the hub. This provides added portability during on-the-go use.

2

To achieve maximum performance, your computer system, peripherals, cables, and software must all support USB 3.0.

Usage Tips

For maximum performance, connected devices should not exceed a combined current of 3A (power adapter attached), or 900mA (powered solely by the USB connection), otherwise connections may become unstable or disconnect entirely.

For reference, the devices below are often rated as follows:

Mouse	100mA
Camera	>300mA
Portable hard drive	max.500mA
USB 3.0 portable hard drive	max.900mA
Keyboard	max.500m

- 2.4GHz wireless devices, MIDI devices and some USB3.0 devices may not be supported. Try using the host port or a USB 2.0 connection.
- The hub will sync but not charge tablets and other devices which require a higher power input.

3

ATTENTION

1. Do not tamper with this product or expose it to excessive heat, humidity, or direct sunlight.
2. We are not responsible for any damage to drives or hard disk data caused by improper use and/or disassembly. Please use this product according to its instructions.

4