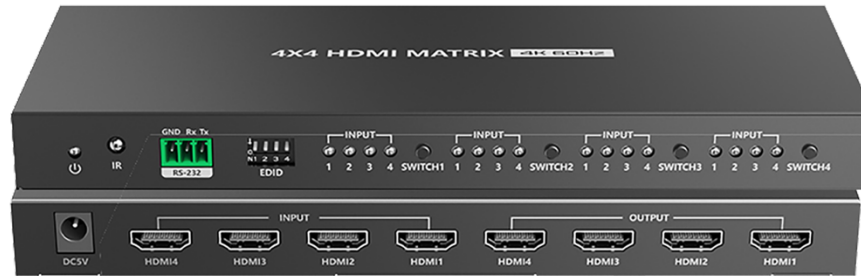


# HDMI MATRIX 4x4 (4K2K@60Hz) (ER2681M44)



## Introduction

This is a 4 in 4 out HDMI matrix switch, it can switch 4 HDMI input signals to 4 HDMI displays as needed. It supports up to 4096x2160@60Hz HDR UHD resolution, and a variety of switching methods (IR remote control, buttons, and RS232) flexibly match input and output devices; Any two of the four HDMI outputs support Auto Down-scaling. This unit is a reliable, ultra-high-definition video transmission solution, which is widely used in security monitoring, education and training, exhibition and broadcasting, command centre and other scenarios.

## Features

- 4 HDMI inputs and 4 HDMI outputs: The device allows you to connect to 4 HDMI devices and distribute/switch their signals to any four displays.
- True matrix functionality: The device can switch any one of the four inputs to either of the four outputs. This allows you to use multiple sources with multiple displays, giving you more flexibility in your setup.
- Splitter functionality: The device can also work as a splitter, allowing you to show the same source on four displays simultaneously.
- Support up to 4096x2160@60Hz resolution and is backward compatible.
- Support HDR10.
- Support multiple switching mode: IR remote control, buttons, RS232.
- Support setting the EDID of the product.
- Any two of the four HDMI outputs support Auto Down-scaling.
- Lightning protection, surge protection, ESD protection.

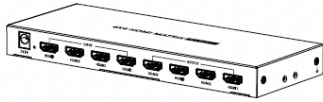
# HDMI MATRIX 4x4 (4K2K@60Hz) (ER2681M44)

## Specifications

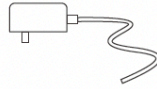
<b>Brand</b>	EiRA
<b>SKU Code</b>	ER2681M44
<b>Item Name</b>	HDMI Matrix 4 x 4 (4K2K@60Hz)
<b>HDMI version</b>	HDMI2.0 (HDR, YUV4:4:4) Compatible with HDCP2.2, HDCP1.4
<b>HDMI interface</b>	4 HDMI input, 4 HDMI output
<b>Transmission rate</b>	18Gbps
<b>Bandwidth</b>	600MHz
<b>Resolution</b>	480i@60Hz、480p@60Hz、576i@50Hz、576p@50Hz、 720p@50/60Hz、1080i@50/60Hz、1080p@50/60Hz、 3840×2160@24/25/30/60Hz、4096×2160@24/25/30/60Hz
<b>Audio format</b>	LPCM/DTS-HD/DTS-Audio/Dolby Digital plus/Dolby TrueHD 7.1/Dolby Digital 7.1CH/Dolby Atmos
<b>RS-232</b>	3 Pin(GND/Rx/Tx), Baud rate 9600
<b>EDID setting</b>	EDID DIP switch (16 gears)
<b>IR frequency</b>	20KHz~60KHz
<b>Voltage</b>	DC5V/1A
<b>Power consumption</b>	<4W
<b>Working temperature</b>	-20°C~60°C
<b>Storage temperature</b>	-30°C~70°C
<b>Humidity</b>	0~90%RH
<b>Housing</b>	Iron
<b>Colour</b>	Black
<b>Weight</b>	375g
<b>Dimensions</b>	210.0(L) x 80.0(W) x 21.0(H) mm
<b>Protection</b>	ESD protection 1a Contact discharge level 2 (±4KV) 1b Air discharge level 3 (±8KV) Implementation of the standard: IEC61000-4-2 Lightning protection, Surge protection

# HDMI MATRIX 4x4 (4K2K@60Hz) (ER2681M44)

## Package Contents



Matrix Switch x1



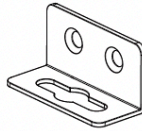
Power Adapter  
5V/1A x1



User Manual x1



Remote Control x1



Mounting Ear x2



Screw x6

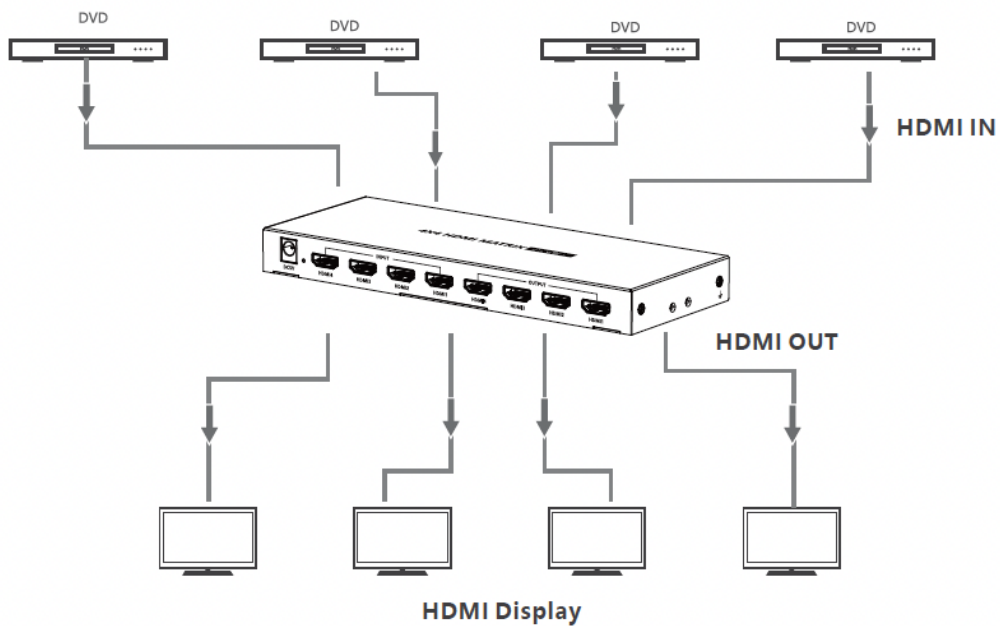


Grounding  
Screw x2

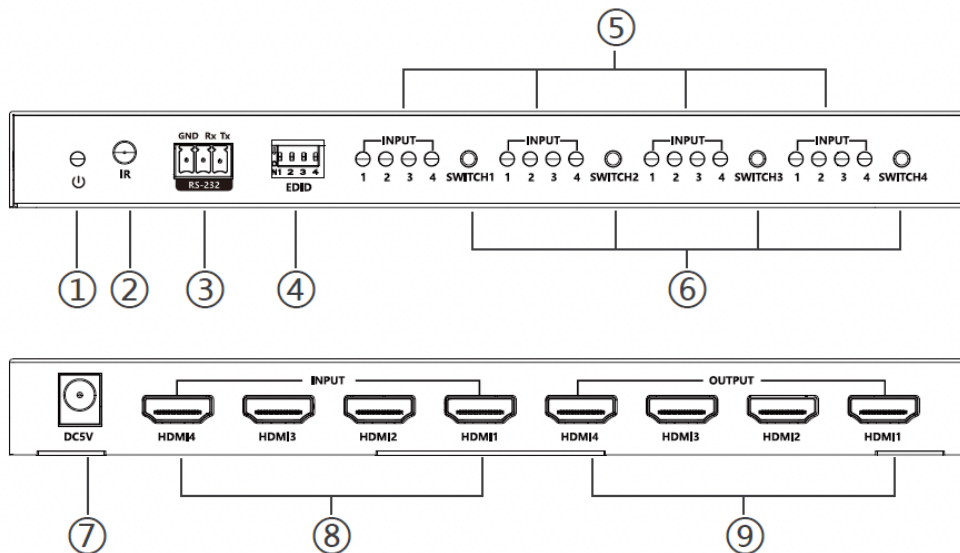


Terminal block x1

## Connection



## Panel Description



①	Power indicator	When there is power, the indicator will light solid yellow
②	IR receiving window	Receive IR signal
③	RS-232	Used for RS-232 command control
④	EDID DIP	Switch output display resolution
⑤	HDMI input indicator 1,2,3,4	Corresponding to HDMI input 1,2,3,4 respectively
⑥	HDMI output Switch 1,2,3,4	Control the switch of HDMI output 1,2,3,4 respectively
⑦	DC5V	Connect with DC5V/1A power adapter
⑧	HDMI input 1,2,3,4	Connect with HDMI source device
⑨	HDMI output 1,2,3,4	Connect with HDMI display device