

4-PORT USB 2.0 EXTENDER OVER IP/ETHERNET (150M) (ER2692UEX)



Introduction

This is a USB 2.0 extender, which can realize one-to-one connection through CAT5e/6/7 network cables, with a transmission distance of up to 100m for CAT5e and 150m for CAT6 and above. When the connection passes through the switch, the input and output cable distances can reach 100m respectively. It supports 4 channels of USB 2.0 device input, such as printer, camera, scanner, USB flash drive, keyboard, mouse, touchscreen, etc., and supports gigabit switch cascade. It can be used for security monitoring, gaming, industrial control, professional audio-visual, smart medical and other fields.

Features

- Support USB 2.0 High-Speed, Compatible with USB 1.1 Full-Speed, USB1.0 Low-Speed.
- Support 4 USB 2.0 inputs and 1 USB 2.0 output.
- Compatible with CAT5e/6/7 network cables, CAT5e transmission distance can reach 100m, and CAT6/7 transmission distance can reach 150m.
- Support USB hub connection.
- The transmitter is powered by the source device, no additional power supply is required.
- Support switch relay, the transmission distance of signals can be increased through the switch.
- Support hot-plugging of USB devices and automatically identify USB High-Speed, Full-Speed and Low-Speed.
- Compatible with High-Speed (480Mbps), Full-Speed (12Mbps), Low-Speed (1.5Mbps)
- Lightning protection, surge protection, ESD protection.

4-PORT USB 2.0 EXTENDER OVER IP/ETHERNET (150M) (ER2692UEX)

- Plug and play.

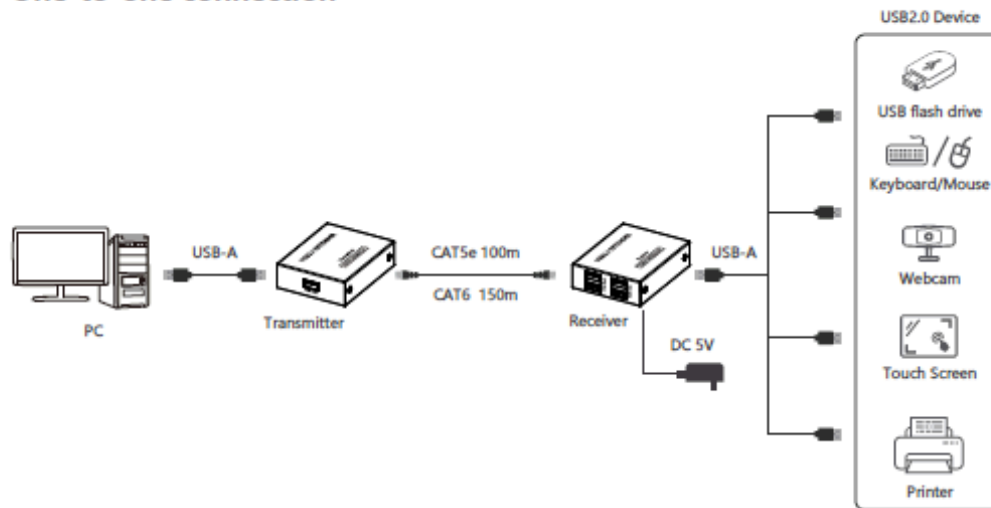
Specifications

Brand	EiRA	
SKU Code	ER2661KVM	
Item Name	4-PORT USB 2.0 EXTENDER OVER IP/ETHERNET (150M)	
Technical	Transmitter	Receiver
USB Compliance	USB2.0, Compatible with USB1.1, USB1.0	
USB Rate	Compatible with High-Speed (480Mbps), Full-Speed (12Mbps), Low-Speed (1.5Mbps)	
Transmission Distance	CAT5E≤100m; CAT6/6A/7≤150m	
USB Device	Supports Printer, Camera, Scanner, U disk, Keyboard, Mouse, Touch screen...	
Switch	Support Gigabit Switch Extension	
USB Hot-Plug	Support	
System	Windows、MacOS、Linux、Android	
Input	/	DC2.1×1, RJ45×1, USB-A ×4
Output	USB-A×1, RJ45 ×1	/
Network cable standard	CAT5E/CAT6/CAT6A/CAT7, follow IEEE-5688 standard	
Mechanical	Transmitter	Receiver
Housing	Iron	
Dimensions(L×W×H mm)	77.0 (L) x 60.0 (W) x 21.0 (H) mm	
Net weight	123g	128g
Power supply	Power from the device	5V/1A
Power consumption	≤2W	≤2W
Operation temperature	-20~60°C	
Storage temperature	-30~70°C	
Relative humidity	0~90%(no condensation)	
Protection	Lightning Protection, Surge Protection, ESD Protection	
Application	Industrial Control, KVM Extension, Professional Audio-Visual, Security and monitoring, Medical Device Connectivity	

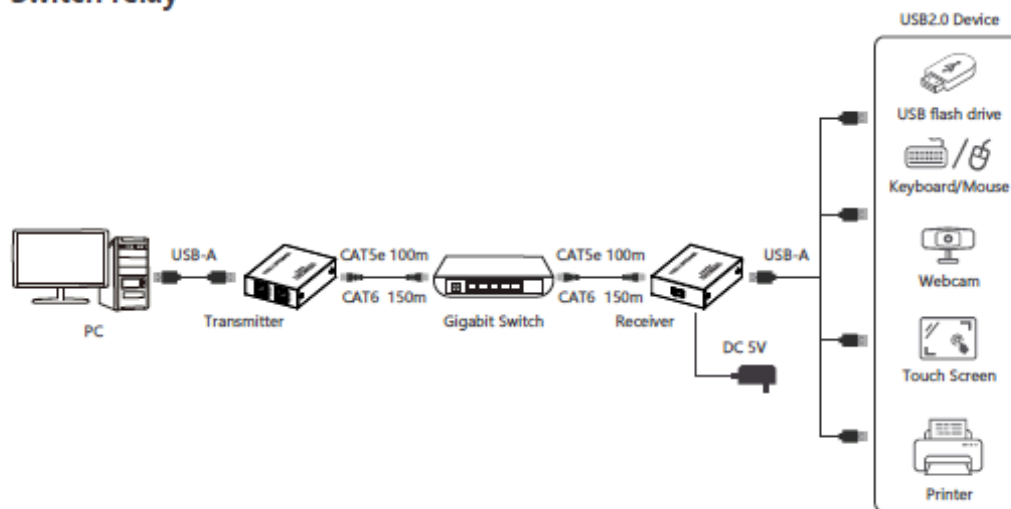
4-PORT USB 2.0 EXTENDER OVER IP/ETHERNET (150M) (ER2692UEX)

Connection

One-to-one connection



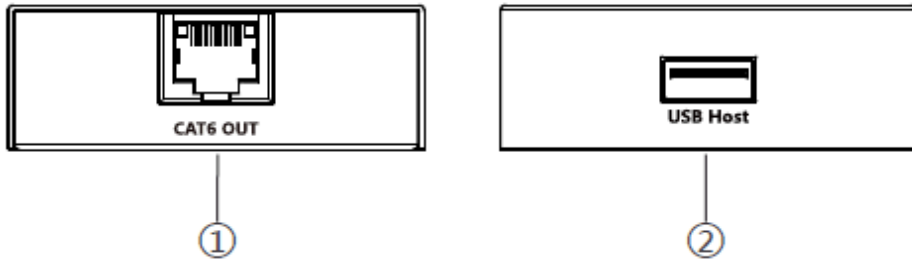
Switch relay



4-PORT USB 2.0 EXTENDER OVER IP/ETHERNET (150M) (ER2692UEX)

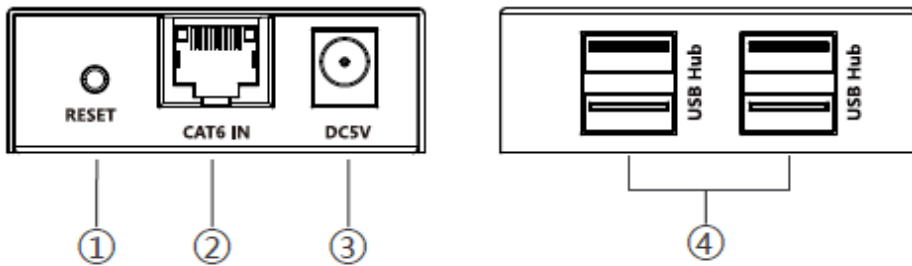
Panel Description

Transmitter



① RJ45 Ports	Connect with CAT5e/6 network cable
② USB-A Ports	Connect with computer

Receiver



① Reset Button	Press to restart the device
② RJ45 Ports	Connect with CAT5e/6/7 network cable
③ Power Input	Connect with DC5V/1A power adapter
④ USB-A Ports	Connect with USB 2.0 devices such as USB flash drive, keyboard, mouse

4-PORT USB 2.0 EXTENDER OVER IP/ETHERNET (150M) (ER2692UEX)

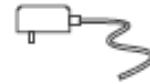
Package Contents



Transmitter x1



Receiver x1



DC5V/1A x1



User Manual x1



USB Cable x1

DRAFT