



User Manual

HDMI QUAD MULTI-VIEWER

HDMI Quad Multi-Viewer with KVM 4X1 (4K30Hz)



Where every Moment comes Alive

ER2803QKVM

HDMI[®]
HIGH-DEFINITION MULTIMEDIA INTERFACE

Introduction

The KVM HDMI 4x1 Quad Multi-viewer represents a cutting-edge solution for seamlessly managing and displaying multiple HD video sources on a single screen. Designed for versatility and performance, this device supports up to four HD digital video signals, allowing users to monitor and switch between different sources effortlessly. With flexible control options including mouse, keyboard, button, and IR remote control, it offers intuitive operation in various environments such as meeting halls and major projects. Its robust and stable performance, coupled with easy installation, makes it an ideal choice for enhancing productivity and efficiency in multi-system setups.

Features:

- Support 4 HDMI inputs, 1 HDMI output ;
- Support 4 channels HDMI signal screen segmentation ;
- Support highest resolution up to 4K@30Hz ;
- Support resolution 4K,1080P,720P,1024X768,1360X768,etc;
- Support IR control for convenient remote operation;
- Support audio output format: PCM ;
- Supports 1 way mouse and keyboard to control 4 ways PC host ;
- USB supports Windows/Linux/MAC OS and Android operation system, etc;
- Plug and play;
- Support USB 1.1 Low speed(1.5Mb/s); Full speed(12Mb/s) ;

Specifications :

- **HDMI resolution:** Supports resolutions up to 4K/30Hz
- **Audio format:** PCM
- **Input cable distance:** ≤10 meters using AWG26 HDMI standard cable at 4K/30Hz
- **Output cable distance:** ≤10 meters using AWG26 HDMI standard cable at 4K/30Hz
- **Max bandwidth:** 340MHz
- **Max baud rate:** 3.4 x 3Gbps
- **Maximum working current:** 950 mA
- **Power adapter format:** Input AC 100V to 240V, 50Hz/60Hz; Output DC 5V 1.5A
- **Operating Temperature range:** -10°C to +45°C
- **Dimensions:** 177 x 58 x 20 mm
- **Weight:** 224 grams

8 modes for switching:



Single Screen



Dual Screen (Side by Side)



Dual Screen (Top & Bottom)



Picture in Picture (PiP)



Triple Screen



Quad Screen (One Big & 3 Small)

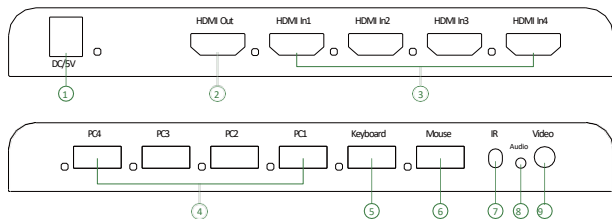


Quad Screen (2 Big & 2 Small)



Quad Screen (4 Equal)

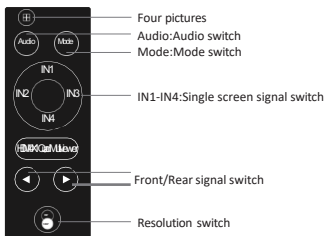
Physical interface diagram



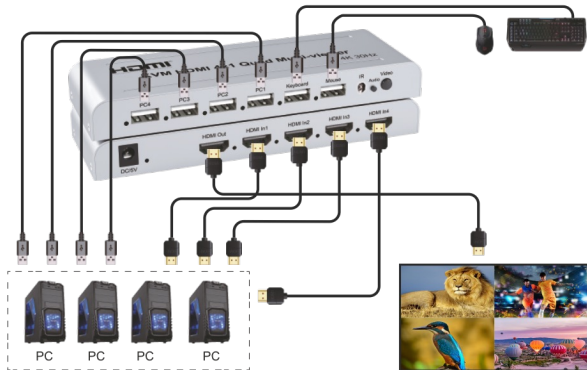
- 1: DC/5V --- DC 5V power port;
- 2: HDMI Out --- HDMI output port;
- 3: HDMI In1-4 --- HDMI input port;
- 4: PC4-1 --- PC input port;
- 5: Keyboard --- Keyboard port;

- 6: Mouse --- Mouse port;
- 7: IR --- Infrared receiving port;
- 8: Audio --- Audio switch;
- 9: Video --- Video switch;

Remote control instructions:



Application diagrams



KVM (mouse and keyboard) connection operation:

1.1 Connect PC1-PC4 ports on the multi-viewer and signal source (such as USB port on the computer) with 4 USB 2.0 cable.

1.2 Connect to Keyboard/Mouse ports on the multi-viewer with USB mouse and keyboard.

2.1 KVM synchronization function mode, click '*'+ 'A' to enter the synchronization mode, and the 4 LEDs on the 'PC1-PC4' port will all light up, then the mouse and keyboard can control the PC on the 4 ports at the same time (Such as a computer); if you want to exit the synchronization function, click '*'+ 'A' or enter other switching modes to exit.

2.2 KVM function switch:

PC1: click '*'+ 'F1'

PC2: click '*'+ 'F2'

PC3: Click '*'+ 'F3'

PC4: Click '*'+ 'F4'

2.3: Mouse through mode: Click '*'+ 'S' to move the mouse through PC1-PC4.

Note: The Keyboard/Mouse port is connected to the mouse and keyboard. After the multi-viewer is powered on, it is connected to the 'PC1' port by default. When the LED of that PC port is on, it is switched to the corresponding PC. It takes a certain amount of time (usually a few seconds, depending on the operating system) when each PC port is connected to the signal source for the first time, and the control can be quickly switched after connection.

Keyboard hotkey:

- '**'+ '1' : Choosing HDMI IN1 signal ;
- '**'+ '2' : Choosing HDMI IN2 signal ;
- '**'+ '3' : Choosing HDMI IN3 signal ;
- '**'+ '4' : Choosing HDMI IN4 signal ;
- '**'+ '5' : Quad multiviewer mode ;
- '**'+ '6' : One big and three small mode ;
- '**'+ '7' : Four pictures-H mode ;
- '**'+ '8' : Three small mode ;
- '**'+ '9' : Pictures in pictures mode ;
- '**'+ 'F5' : Left and right dual picture mode(In1/In2) ;
- '**'+ 'F6' : Left and right dual picture mode (In3/In4) ;
- '*' + 'F7' : Switch output resolution (4K/1080P/720P);
- '**'+ 'Pgup' : Up and down dual picture mode(In1/In2) ;
- '**'+ 'PgDn' : Up and down dual picture mode(In3/In4) ;
- '**'+ 'F9' : Mouse absolute coordinate mode (PC);
- '**'+ 'F10' : Mouse Relative Coordinate Mode (NVR)

Note: If the mouse through function cannot be used, Please confirm that it is mouse absolute coordinate mode (* + F9).

The Package includes:

- | | | | |
|-----------------------------------|------|-------------------|-----|
| 1. KVM HDMI 4x1 quad multi-viewer | 1PC | 4. Remote control | 1PC |
| 2. Power adapter | 1PC | 5. User manual | 1PC |
| 3. A type USB cable | 4PCS | | |